



Cambridge IGCSE™

PHYSICAL SCIENCE

0652/52

Paper 5 Practical Test

October/November 2020

CONFIDENTIAL INSTRUCTIONS

This document gives details of how to prepare for and administer the practical exam.

The information in this document and the identity of any materials supplied by Cambridge International are confidential and must NOT reach candidates either directly or indirectly.

The supervisor must complete the report at the end of this document and return it with the scripts.

INSTRUCTIONS

- If you have any queries regarding these confidential instructions, contact Cambridge International stating the centre number, the syllabus and component number and the nature of the query.
email info@cambridgeinternational.org
phone +44 1223 553554

This document has **8** pages. Blank pages are indicated.

General information about practical exams

Centres must follow the guidance on science practical exams given in the *Cambridge Handbook*.

Safety

Supervisors must follow national and local regulations relating to safety and first aid.

Only those procedures described in the question paper should be attempted.

Supervisors must inform candidates that materials and apparatus used in the exam should be treated with caution. Suitable eye protection should be used where necessary.

The following hazard codes are used in these confidential instructions, where relevant:

C	corrosive	MH	moderate hazard
HH	health hazard	T	acutely toxic
F	flammable	O	oxidising
N	hazardous to the aquatic environment		

Hazard data sheets relating to substances used in this exam should be available from your chemical supplier.

Before the exam

- The packets containing the question papers must **not** be opened before the exam.
- It is assumed that standard school laboratory facilities, as indicated in the *Guide to Planning Practical Science*, will be available.
- Spare materials and apparatus for the tasks set must be available for candidates, if required.

During the exam

- It must be made clear to candidates at the start of the exam that they may request spare materials and apparatus for the tasks set.
- Where specified, the supervisor **must** perform the experiments and record the results as instructed. This must be done **out of sight** of the candidates, using the same materials and apparatus as the candidates.
- Any assistance provided to candidates must be recorded in the supervisor's report.
- If any materials or apparatus need to be replaced, for example, in the event of breakage or loss, this must be recorded in the supervisor's report.

After the exam

- The supervisor must complete a report for each practical session held and each laboratory used.
- Each packet of scripts returned to Cambridge International must contain the following items:
 - the scripts of the candidates specified on the bar code label provided
 - the supervisor's results relevant to these candidates
 - the supervisor's reports relevant to these candidates
 - seating plans for each practical session, referring to each candidate by candidate number
 - the attendance register.

Specific information for this practical exam

During the exam, the supervisor (NOT the invigilator) must do the experiments in Questions 1, 2 and 3 and record the results on a spare copy of the question paper, clearly labelled 'supervisor's results'.

Apparatus and chemicals for Question 1

Each candidate will require:

- (i) 75 cm³ hydrochloric acid 0.25 mol dm⁻³ labelled **H**
- (ii) 75 cm³ hydrochloric acid 0.1 mol dm⁻³ labelled **J**
- [F] (iii) 2 × 6.0 cm lengths of magnesium ribbon labelled **magnesium ribbon**
- (iv) 50 cm³ measuring cylinder
- (v) 1 stop-clock or stop-watch
- (vi) 100 cm³ measuring cylinder. See Note 1
- (vii) 1 conical flask. See Note 1
- (viii) 1 delivery tube and bung to fit conical flask. See Note 1
- (ix) large beaker or tub. See Note 1
- (x) access to water. See Note 1
- (xi) clamp stand, boss and clamp. See Note 1.

Notes

1. Each candidate will need to set up the apparatus shown in Fig. 1.1 using (vi), (vii), (viii), (ix) and (xi).

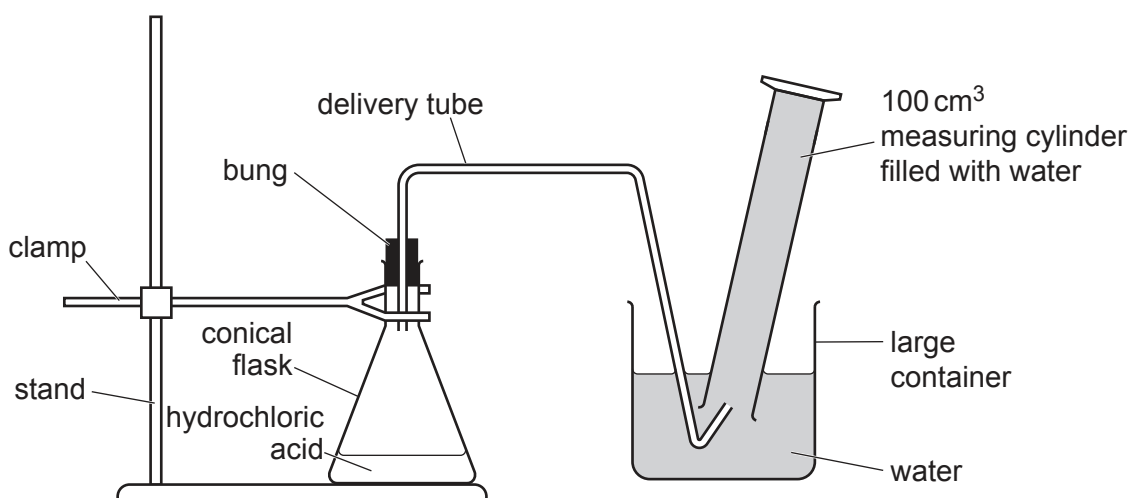


Fig. 1.1

Action at changeover

Dismantle the apparatus and rinse the conical flask. Empty the large container.

Apparatus for Question 2

Each candidate will require:

- (i) 1 steel spring.

An expendable steel spring is suitable, for example a 55 mm long spring of diameter 15 mm (see www.philipharris.co.uk, catalogue number B8G87194).

The spring must be capable of supporting at least 500 g without overstretching

- (ii) 1 clamp, stand and boss
- (iii) 1 30 cm or 1 50 cm rule, graduated in millimetres
- (iv) 300 g of masses.

A 100 g mass hanger with two 100 g slotted masses is ideal.

If a mass hanger is not available, a suitable light hook must be provided so that the masses can be suspended from the spring

- (v) 1 stop-clock or stop-watch.

Action at changeover

Remove spring and mass from clamp, stand and boss.

Replace spring if it has been permanently stretched.

Apparatus for Question 3

Each candidate will require:

- (i) a power source of approximately 2V. Where candidates are supplied with a variable power source, the voltage should be set by the supervisor and fixed, e.g. taped
- (ii) 3 filament lamps 2.5V, 0.3A (e.g. see www.philipharris.co.uk item B8A56728) or similar in suitable holders
- (iii) a switch – this may be an integral part of the power source
- (iv) sufficient connecting leads to set up the circuit shown in Fig. 3.1
- (v) ammeter capable of measuring currents up to 1.00A with a minimum resolution of 0.05A
- (vi) voltmeter capable of measuring up to 3.0V with a minimum resolution of 0.1V.

Notes

1. The circuit is to be set up for candidates as shown in Fig. 3.1. Points **P** and **Q** must be labelled.

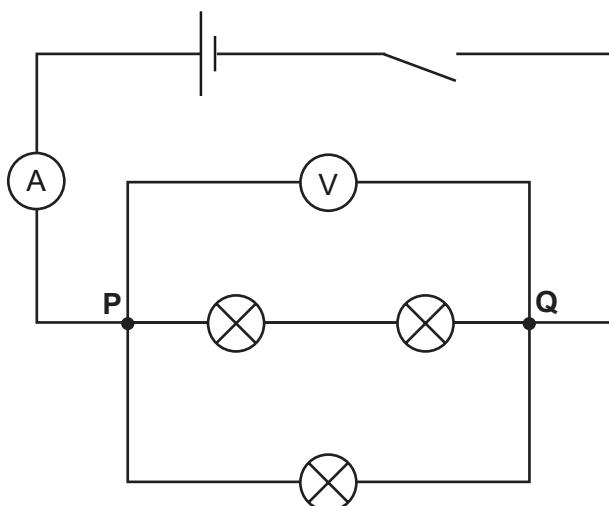


Fig. 3.1

2. If dry cells are used as the power source, they must remain adequately charged throughout the examination.
3. Spare lamps and leads should be available.
4. Candidates will be required to rearrange and reconnect the given circuit unaided **without disconnecting the voltmeter**. If help is required, it may be given, but the candidate number must be noted on the supervisor's report.

Action at changeover

Reconnect the circuit shown in Fig. 3.1.

Apparatus for Question 4

No apparatus is required for this question.

Permission to reproduce items where third-party owned material protected by copyright is included has been sought and cleared where possible. Every reasonable effort has been made by the publisher (UCLES) to trace copyright holders, but if any items requiring clearance have unwittingly been included, the publisher will be pleased to make amends at the earliest possible opportunity.

To avoid the issue of disclosure of answer-related information to candidates, all copyright acknowledgements are reproduced online in the Cambridge Assessment International Education Copyright Acknowledgements Booklet. This is produced for each series of examinations and is freely available to download at www.cambridgeinternational.org after the live examination series.

Cambridge Assessment International Education is part of the Cambridge Assessment Group. Cambridge Assessment is the brand name of the University of Cambridge Local Examinations Syndicate (UCLES), which itself is a department of the University of Cambridge.

Supervisor's report

Syllabus and component number

				/		
--	--	--	--	---	--	--

Centre number

--	--	--	--	--

Centre name

Time of the practical session

Laboratory name/number

Give details of any difficulties experienced by the centre or by candidates (include the relevant candidate names and candidate numbers).

You must include:

- any difficulties experienced by the centre in the preparation of materials
- any difficulties experienced by candidates, e.g. due to faulty materials or apparatus
- any specific assistance given to candidates.

Declaration

- 1 Each packet that I am returning to Cambridge International contains the following items:
- the scripts of the candidates specified on the bar code label provided
 - the supervisor's results relevant to these candidates
 - the supervisor's reports relevant to these candidates
 - seating plans for each practical session, referring to each candidate by candidate number
 - the attendance register.
- 2 Where the practical exam has taken place in more than one practical session, I have clearly labelled the supervisor's results, supervisor's reports and seating plans with the time and laboratory name/number for each practical session.
- 3 I have included details of difficulties relating to each practical session experienced by the centre or by candidates.
- 4 I have reported any other adverse circumstances affecting candidates, e.g. illness, bereavement or temporary injury, directly to Cambridge International on a *special consideration form*.

Signed (supervisor)

Name (in block capitals)